

*Desoutter*



**Industrial** Tools



## **B-FLEX**

**Torque and Angle  
Transducerized Battery Tool**

*Quality control*

*Flexibility*

*Ergonomics*

**More Than Productivity**



# B-FLEX: performance and flexibility



[desoutter.info/B-FLEX-video](https://desoutter.info/B-FLEX-video)

## FOCUS



## KEY POINTS

BEST ERGONOMICS	HIGH TECHNOLOGY	QUALITY CONTROL
<p>Ergostop technology to avoid RSI (Repetitive Strain Injury)</p> <p>Perfectly balanced grip design</p> <p>Rebalancing with the two different battery positions</p> <p>Operator comfort</p>	<p>Smart embedded HMI on tool</p> <p>High resolution transducer</p> <p>New motor dedicated to battery tools: high speed, high torque, low temperature</p>	<p>Direct feedback for the operator</p> <p>Visible tightening results on tool HMI</p> <p>Torque control and angle monitoring</p>

# B-FLEX: Ergonomy and Control



desoutter.info/B-FLEX

## ERROR PROOF QUALITY CONTROL

- Direct feedback for the operator
- Torque and Angle tightening result
- Torque control tightening strategy



No PC needed

## 100 last results on CVI monitor



Password protection

Battery level

Data to collect

Ergostop

Program setting

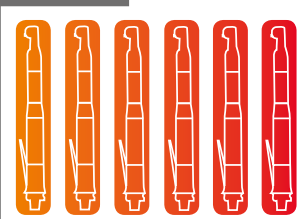
Easy setting

Results

10.03Nm  
162.3DEG

## B-FLEX ADVANCED (Standard features +)

### 6 Pset

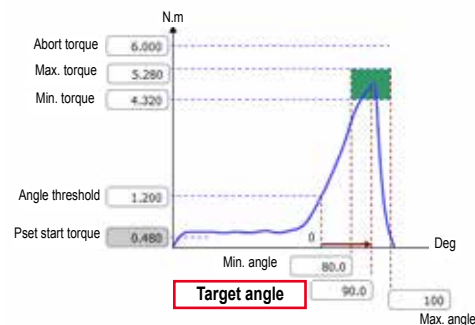


6 TOOLS in 1 B-FLEX



### Angle Strategy

Error proof your standard tightenings



### Full data collection

(up to 10 000 on Analyzer)





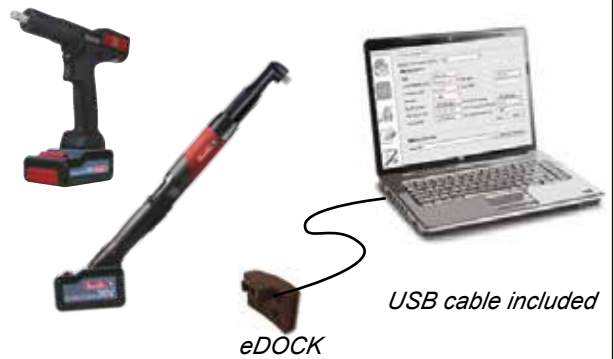
# UNMATCHED FLEXIBILITY



## Get rid of your air hoses



## eDOCK for tool maintenance



## Non contact trigger

- Dust and oil proof
- Maintenance free (no contact)

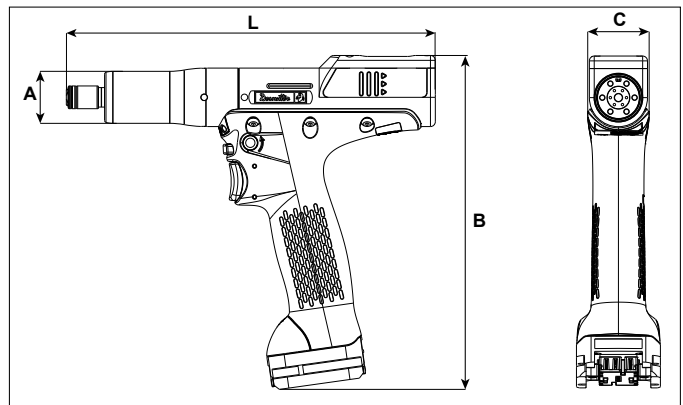


# B-FLEX Series - Pistol grip

1.5 to 17 Nm (1.1 to 12.5 ft.lb) - 10 to 1800 rpm



MODEL	L		A		B		C	
	mm	in.	mm	in.	mm	in.	mm	in.
EPB 8-1800-4Q	227	8.94	32	1.26	206	8.11	38	1.5
EPB 8-1800-10S	227	8.94	32	1.26	206	8.11	38	1.5
EPB 14-900-4Q	227	8.94	32	1.26	206	8.11	38	1.5
EPB 14-900-10S	227	8.94	32	1.26	206	8.11	38	1.5
EPB 17-700-4Q	227	8.94	32	1.26	206	8.11	38	1.5
EPB 17-700-10S	227	8.94	32	1.26	206	8.11	38	1.5



PIC REF	MODEL	PART NUMBER	OUTPUT DRIVE	TORQUE RANGE						ROTATIONAL SPEED (RPM)		WEIGHT WITHOUT BATTERY		VOLTAGE
				MIN.	RECOM-MENDED	MAX.	MIN.	RECOM-MENDED	MAX.	18V	36V	kg	lb	
			in.	Nm	Nm	Nm	ft.lb	ft.lb	ft.lb					V

## B-FLEX - TRANSDUCERIZED BATTERY TOOL

A	EPB 8-1800-4Q	615 165 899 0	Hex.1/4	1.5	7	8	1.1	5.2	5.9	900	1800	1	2.2	18/36
B	EPB 8-1800-10S	615 165 903 0	Sq.3/8	1.5	7	8	1.1	5.2	5.9	900	1800	1	2.2	18/36
A	EPB14-900-4Q	615 165 978 0	Hex.1/4	4	12	14	2.4	8.8	10.3	540	940	1	2.2	18/36
B	EPB14-900-10S	615 165 977 0	Sq.3/8	4	12	14	2.4	8.8	10.3	540	940	1	2.2	18/36
A	EPB 17-700-4Q	615 165 905 0	Hex.1/4	7	15	17	5.2	11	12.5	400	700	1	2.2	18/36
B	EPB 17-700-10S	615 165 901 0	Sq.3/8	7	15	17	5.2	11	12.5	400	700	1	2.2	18/36

## B-FLEX - ADVANCED

A	EPBA 8-1800-4Q	615 165 972 0	Hex.1/4	1.5	7	8	1.1	5.2	5.9	900	1800	1	2.2	18/36
B	EPBA 8-1800-10S	615 165 971 0	Sq.3/8	1.5	7	8	1.1	5.2	5.9	900	1800	1	2.2	18/36
A	EPBA14-900-4Q	615 165 974 0	Hex.1/4	4	12	14	2.4	8.8	10.3	540	940	1	2.2	18/36
B	EPBA14-900-10S	615 165 973 0	Sq.3/8	4	12	14	2.4	8.8	10.3	540	940	1	2.2	18/36
A	EPBA 17-700-4Q	615 165 976 0	Hex.1/4	7	15	17	5.2	11	12.5	400	700	1	2.2	18/36
B	EPBA 17-700-10S	615 165 975 0	Sq.3/8	7	15	17	5.2	11	12.5	400	700	1	2.2	18/36

• Battery not included in standard offering

• Battery 18V, 2.5 Ah : 0.46 kg (1.01lb) & 36V, 2.5 Ah : 0.77 kg (1.70lb)

# B-FLEX Series - Angle head

5 to 95 Nm (3.7 to 70 ft.lb) - 10 to 900 rpm



A

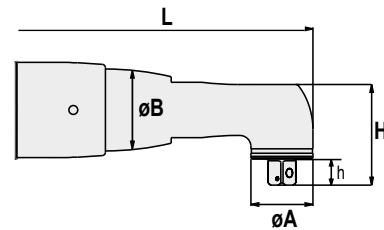


B



C

MODEL	L		H		H		ØA		ØB	
	mm	in.	mm	in.	mm	in.	mm	in.	mm	in.
EAB 15-900	470	18.5	10.2	0.40	33.8	1.33	22	0.87	37.0	1.46
EAB 26-560	496	19.5	12.0	0.47	45.7	1.80	28	1.10	37.0	1.46
EAB 32-410	496	19.5	12.0	0.47	45.7	1.80	28	1.10	37.0	1.46
EAB 45-330	506	19.9	12.0	0.47	51.0	2.00	35	1.38	37.0	1.46
EAB 50-450	546	21.5	12.0	0.47	51.0	2.00	35	1.38	37.0	1.46
EAB 60-370	559	22.0	11.9	0.468	57.0	2.20	40	1.57	41.0	1.61
EAB 75-300	582	22.9	17.5	0.69	60.4	2.38	45	1.77	48.5	1.91
EAB 95-240	582	22.9	17.5	0.69	60.4	2.38	45	1.77	48.5	1.91



L = Tool length without battery

PIC REF	MODEL	PART NUMBER	SQUARE DRIVE	TORQUE RANGE						ROTATIONAL SPEED	EAB/EABA		VOLTAGE
				MIN.	RECOM-MENDED	MAX.	MIN.	RECOM-MENDED	MAX.		kg	lb	
			in.	Nm	Nm	Nm	ft.lb	ft.lb	ft.lb	rpm			V

## B-FLEX - TRANSDUCERIZED BATTERY TOOL

•	EAB 15-900	615 165 731 0	1/4	5	13	15	3.7	9.6	11	900	1.55	3.42	36
A	EAB 26-560	615 165 732 0	3/8	5	24	26	3.7	18	19	560	1.65	3.64	36
A	EAB 32-410	615 165 733 0	3/8	7	30	32	5.2	22	24	410	1.65	3.64	36
B	EAB 45-330	615 165 734 0	3/8	9	40	45	6.6	30	33	330	1.76	3.88	36
B	EAB 50-450	615 165 735 0	3/8	9	45	50	6.6	33	37	450	2.04	4.50	36
B	EAB 60-370	615 165 736 0	1/2	10	55	60	7.4	41	44	370	2.35	5.18	36
C	EAB 75-300	615 165 737 0	1/2	12	70	75	8.8	52	55	300	2.94	6.48	36
C	EAB 95-240	615 165 738 0	1/2	19	90	95	14	66	70	240	2.98	6.57	36

## B-FLEX - ADVANCED

•	EABA15-900	615 165 961 0	1/4	5	13	15	3.7	9.6	11	900	1.55	3.42	36
A	EABA26-560	615 165 962 0	3/8	5	24	26	3.7	18	19	560	1.65	3.64	36
A	EABA32-410	615 165 963 0	3/8	7	30	32	5.2	22	24	410	1.65	3.64	36
B	EABA45-330	615 165 964 0	3/8	9	40	45	6.6	30	33	330	1.76	3.88	36
B	EABA50-450	615 165 965 0	3/8	9	45	50	6.6	33	37	450	2.04	4.50	36
B	EABA60-370	615 165 966 0	1/2	10	55	60	7.4	41	44	370	2.35	5.18	36
C	EABA75-300	615 165 967 0	1/2	12	70	75	8.8	52	55	300	2.94	6.48	36
C	EABA95-240	615 165 968 0	1/2	19	90	95	14	66	70	240	2.98	6.57	36

- Battery not included in standard offering
- Battery 36V, 2.5Ah - Weight: 0.77 kg (1.70lb)

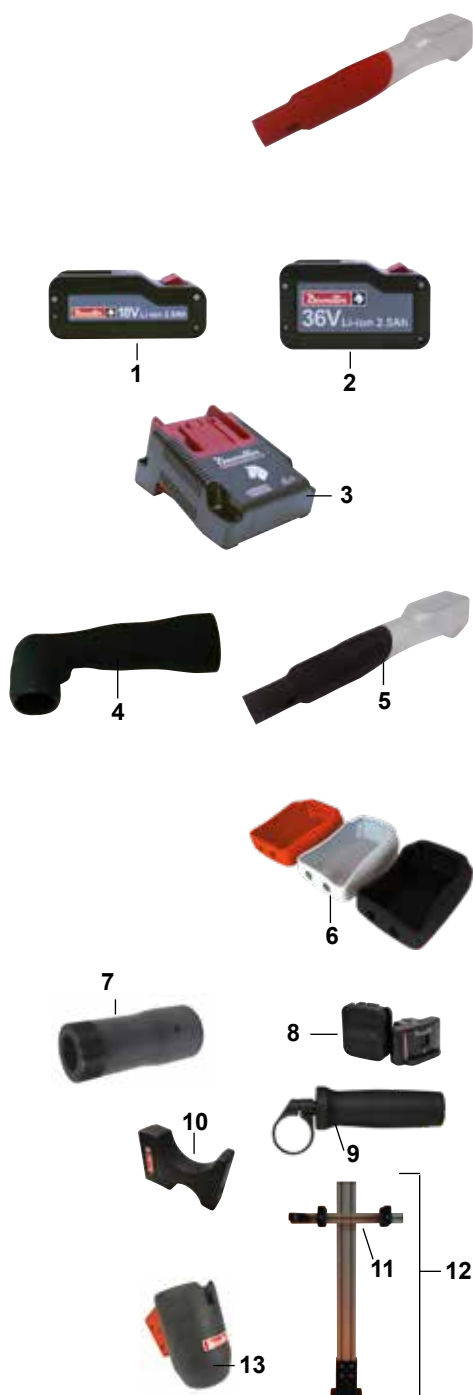
## EPB / EAB

### ACCESSORIES INCLUDED

	EPB/EPBA
• Pistol protective cover Red	615 211 022 0

### OPTIONAL ACCESSORIES

ITEM	EAB/EABA	EPB/EPBA
<b>Battery type</b>		
1	Li-ion battery pack 18V 2.5 Ah - 0,46 kg (1,01lb)	615 813 266 0
2	Li-ion battery pack 36V 2.5 Ah - 0,77 kg (1,70lb)	615 813 267 0
<b>Charger</b>		
3	Charger Universal 18 / 36V	615 813 270 0
•	Power Cord C13-C14 L=0.3m (daisy chain cable)	615 813 383 0
<b>Protective covers - Tools</b>		
4	For Angle head EAB 15	615 211 003 0
4	For Angle head EAB 26/32	615 573 207 0
4	For Angle head EAB 45/50	615 573 208 0
4	For Angle head EAB 60	615 573 209 0
4	For Angle head EAB 75/95	615 573 210 0
5	Pistol protective cover Black	615 211 019 0
<b>Protective covers - Battery</b>		
6	For Battery 18V 2.5Ah - Clear	615 211 136 0
6	For Battery 18V 2.5Ah - Black	615 211 137 0
6	For Battery 18V 2.5Ah - Red	615 211 138 0
6	For Battery 18V 2.5Ah - Grey	615 211 139 0
6	For Battery 36V 2.5Ah - Clear	615 211 140 0
6	For Battery 36V 2.5Ah - Black	615 211 141 0
6	For Battery 36V 2.5Ah - Red	615 211 142 0
6	For Battery 36V 2.5Ah - Grey	615 211 143 0
<b>Miscellaneous</b>		
7	Nose crowfoot adapter for EPB	615 565 518 0
8	eDOCK + Battery data interface	615 813 400 0
9	Side handle	615 397 016 0
<b>Desoutter Tool holster</b>		
10	DTH TWIN (single) without rail	615 811 411 0
11	DTH TWIN rail kit with 2 Twin holders	615 811 412 5
12	DTH TWIN stand kit with 2 Twin holders	615 811 413 5
13	DTH90	615 812 119 0



# More Than Productivity



[www.desouttertools.com](http://www.desouttertools.com)

English  
© Copyright 2022  
March 2022 - Issue 6